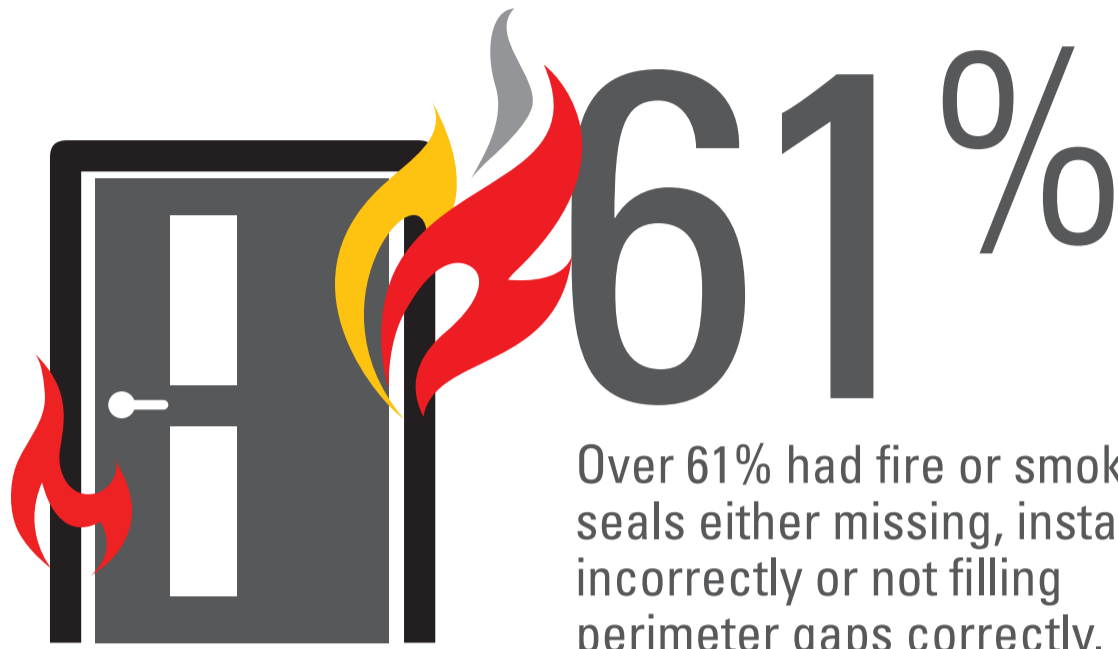




5 MOST COMMON FIRE DOOR FAULTS



Qualifying Fire Door Professionals



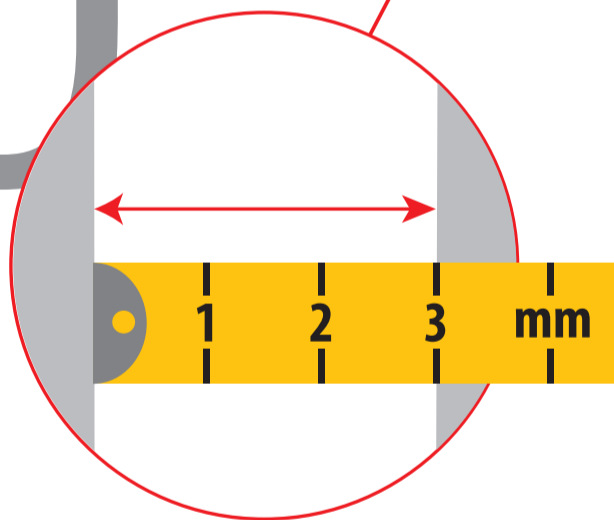
Over 61% had fire or smoke seals either missing, installed incorrectly or not filling perimeter gaps correctly.



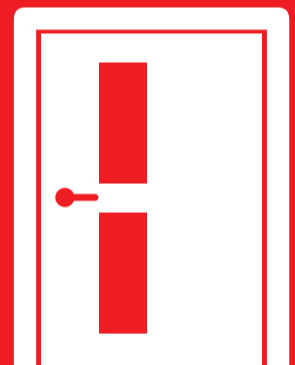
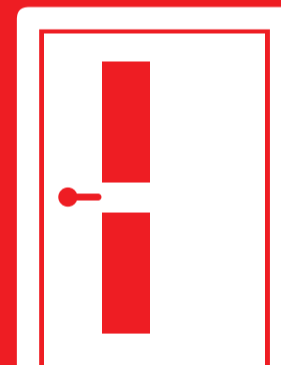
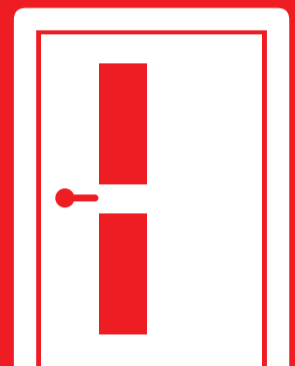
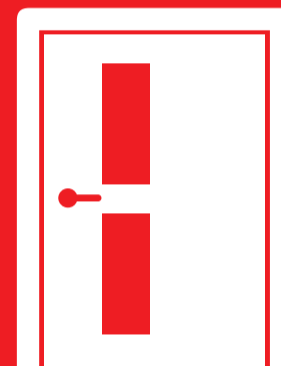
1/3

Over a third had incorrect signage.

230



More than 230 (34%) fire doors inspected had excessive gaps between the door and its frame (ie. over 3mm).



Almost one in five had unsuitable hinges.

1 IN 5



Over 15% had damage to the door leaf.

677 doors were inspected at 31 sites and 2506 faults were identified

To find a fire door inspector visit www.fdis.co.uk/inspector

A scheme delivered by the BWF-CERTIFIRE Scheme and the Guild of Architectural Ironmongers

